

PLACEMENT CONSIDERATIONS

A few things to consider when deciding where to install your Landport:

1. Landport will function best on a stable, firm and level surface that has good drainage.
2. Landport should be readily accessible to delivery personnel and other users.
3. Do not place Landport where its lid will be obstructed (such as under a branch), or where you can't open the lid completely (such as too close to a wall). We recommend a distance of 4" measured from the back of the Landport to the wall behind it. (Fig. 1)
4. Avoid installing Landport where water or snow may accumulate.
5. You may want to give some thought to the amount and intensity of sun exposure your Landport will receive throughout the year. Landport's steel body can heat up and become hot to the touch if left in direct sunlight. Also, a darker colored Landport like brown or black will absorb more heat.

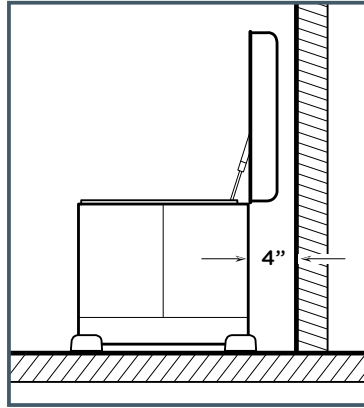


Fig. 1

CHOOSE NUMBER OF ANCHORS TO USE

You have the option to anchor Landport at 1, 2, 3 or all 4 points. We have included one anchor for you, but the decision is up to you. More anchors mean more security. The shoes hide the bolts, so it won't be obvious where or how your Landport is anchored to the surface.

Note: If you decide to get more anchors, purchase 3/8" diameter, 3" long stainless steel wedge anchors. Using stainless steel prevents rust.

SAFETY CONSIDERATIONS

Please read and follow all safety instructions when using power equipment. We strongly recommend using protective eyewear and earplugs when using the hammer drill.

INSTALLATION METHODS

If you are not comfortable installing Landport yourself, we suggest you seek a contractor or an experienced handyperson to do the job. For such a professional, installing Landport should be a quick and easy process.

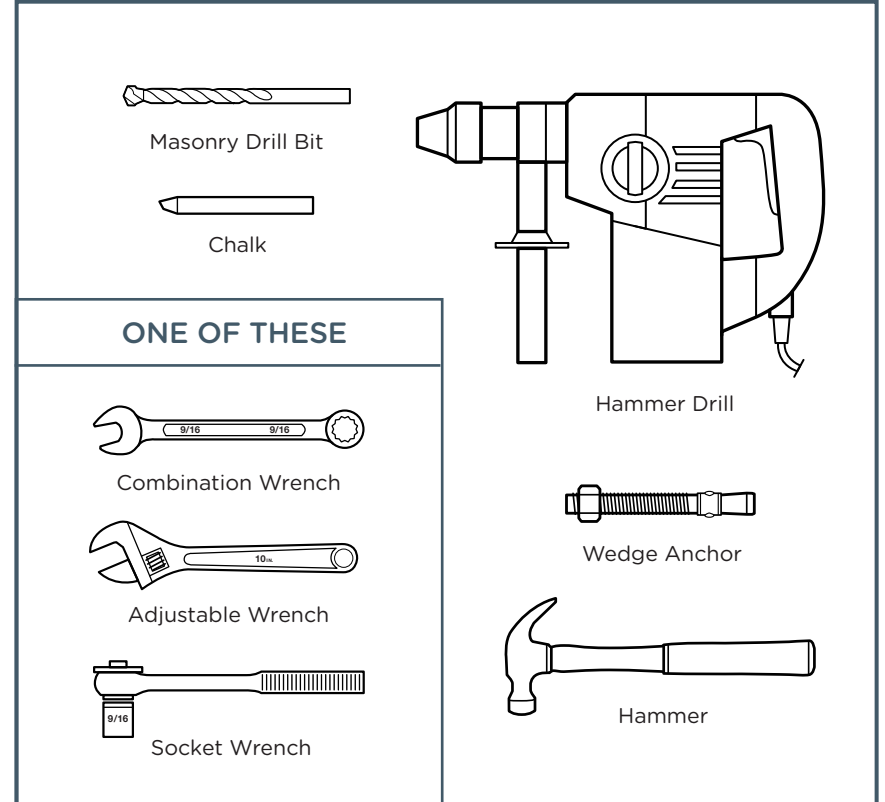
SECURING LANDPORT TO EXISTING CONCRETE

The following installation procedure applies to existing concrete driveways, walkways, porches or patios. Expect to drill into the material and insert anchors.

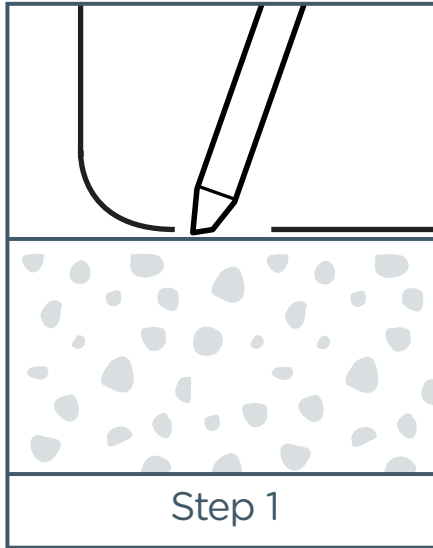
WHAT YOU'LL NEED

- Roto hammer or hammer drill, which can be found at Home Depot tool rental or similar tool rental outlets.
- 3/8" masonry drill bit - carbide is recommended.
- 1 or more 3/8" diameter stainless steel concrete wedge anchors 3" in length.
- A hammer.
- A 9/16" combination wrench, adjustable wrench or 9/16" socket wrench.
- Chalk, marker, crayon, pencil - anything that can be used to mark the concrete for drilling.

Note: Landport anchor hole is 1/2"; we recommend 3/8" diameter bolts.

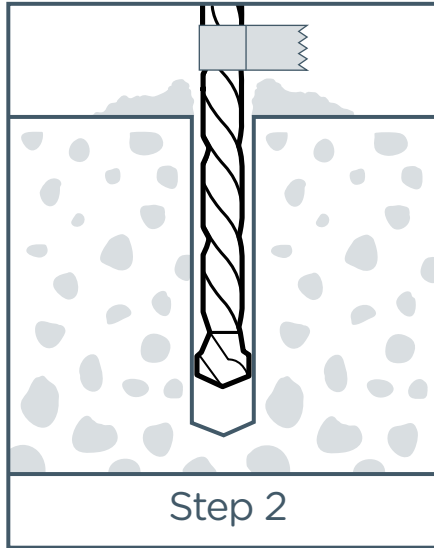


INSTALLING THE WEDGE ANCHORS



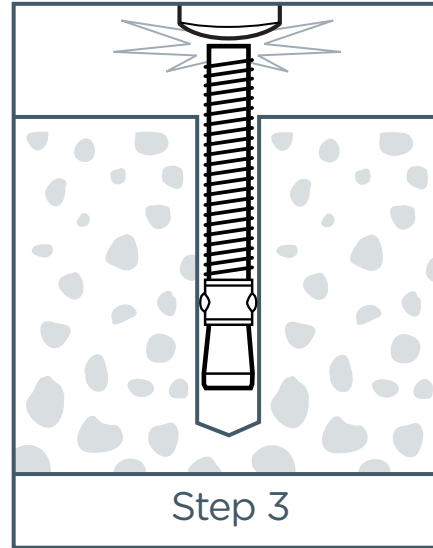
Step 1

1. Position your Landport where you want it.
2. Mark the holes with chalk or other marker.
3. Move Landport out of the way.



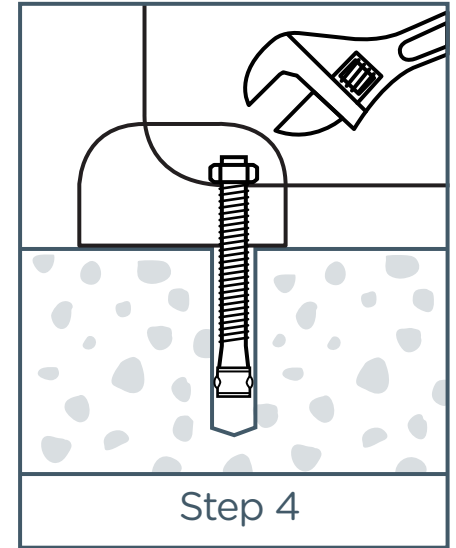
Step 2

1. Wrap a bit of visible tape around the drill bit at $3\frac{1}{4}$ " - then you'll know when to stop drilling.
2. Drill a $3\frac{1}{4}$ " deep hole into the concrete using a $\frac{3}{8}$ " bit, drilling $\frac{1}{4}$ " more than the length of the anchor.
3. Clean the concrete dust out of the hole with a vacuum.



Step 3

1. Remove the nut and the washer from the wedge anchor.
2. Hammer the wedge anchor bolt into the hole. The threaded part of the bolt should be up, such that the wedge is in the bottom of the hole.



Step 4

1. Place the shoe over the wedge anchor bolt and position the Landport over the shoe and the bolt.
2. Attach the washer and the nut to the anchor bolt from inside the Landport.
3. Tighten the nut 2-3 complete turns. This will cause the wedge to expand and anchor into the concrete.

SECURING LANDPORT TO A WOOD PORCH OR DECK

If you can access the underside of your wood porch or deck, use nuts and bolts.

If you can't access the underside of the wood porch or deck, you can secure your Landport with 3/8" x 3" lag bolts. Drill a 5/16" pilot hole first. (Fig. 2)

Note: We recommend using stainless steel hardware to prevent rusting.

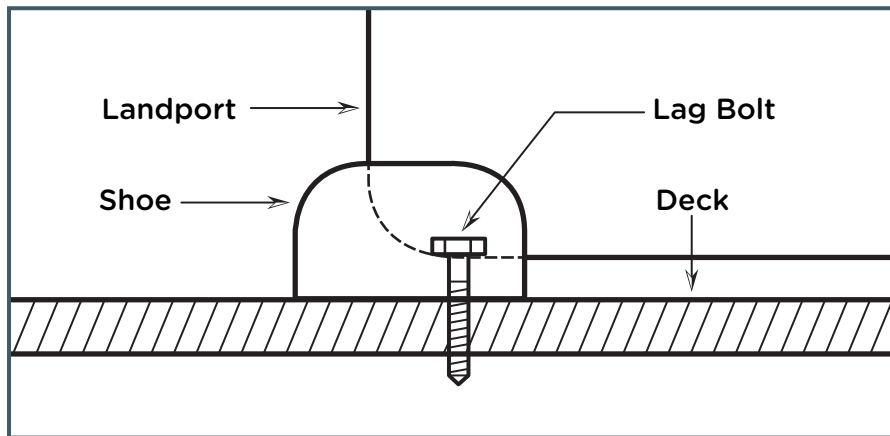


Fig. 2

OTHER INSTALLATION OPTIONS:

If the installation methods described aren't possible, you can also:

1. Secure Landport to a concrete footing using a threaded rod.
2. Pour a new concrete slab and secure using a threaded rod.

LANDPORT CARE

To clean Landport use a soft cloth, water and a nonabrasive mild detergent cleanser, such as dish washing liquid or car washing detergent. Do not use solvents such as paint thinner, acetone or nail polish remover, which may dull the finish.

TOUCH-UP PAINT

- Black - RAL* 9005
- Blue Gray - RAL 7031
- Cream - RAL 9010
- Red - RAL 3013
- Brown Black - RAL 8022

*RAL is a color matching standard for powder coating.

If Landport gets scratched, we recommend applying oil on the scratch to temporarily delay rusting.

We also recommend touching up the scratch with the appropriate paint as soon as possible. Please see Parts & Accessories at www.theLandport.com for information on ordering touch up paint.